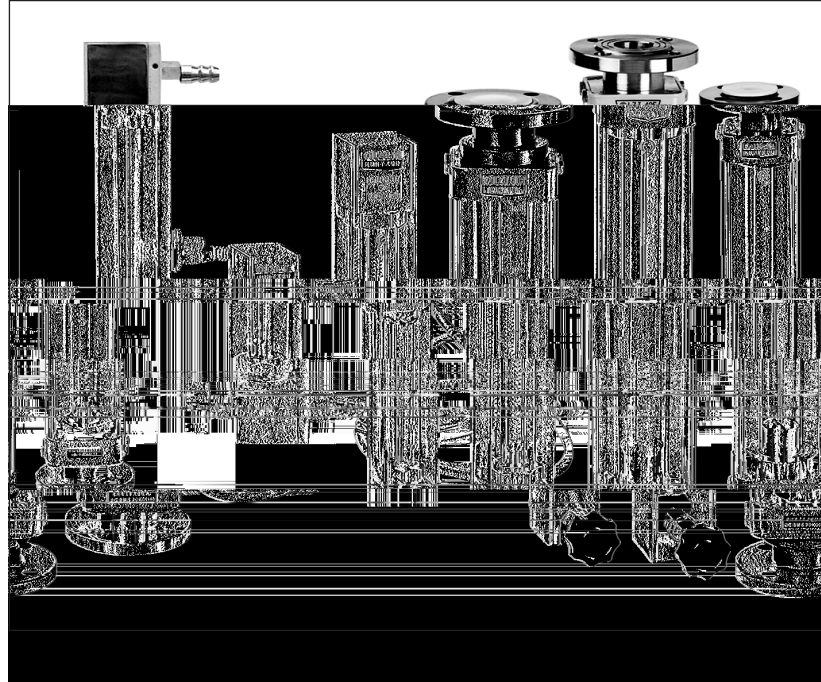
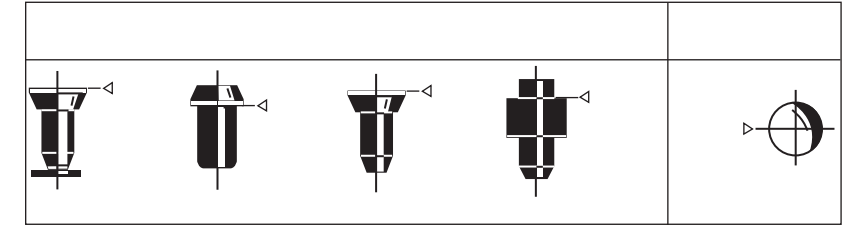


Summary

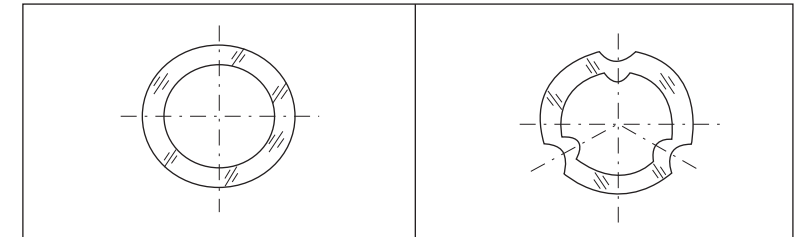
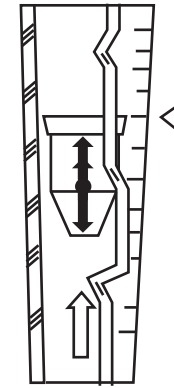
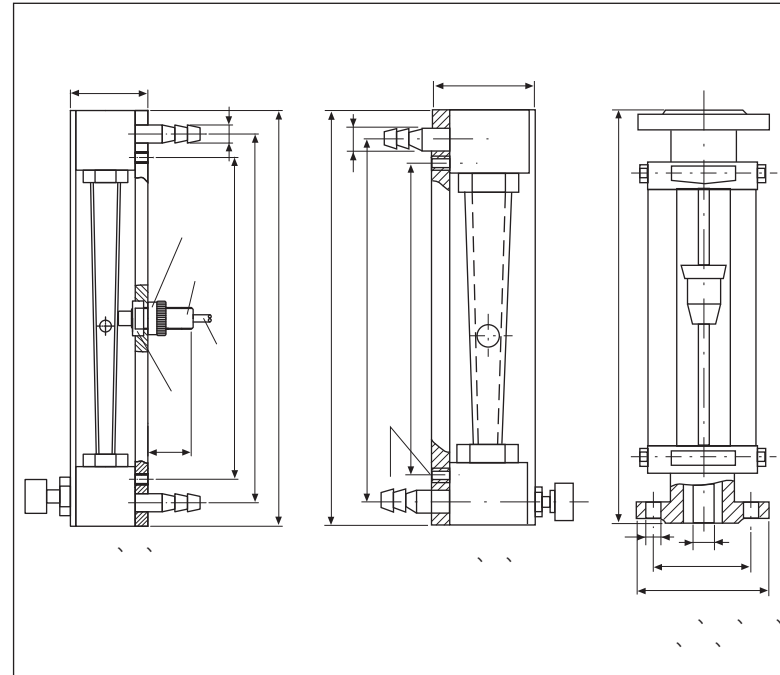


Principle & Structure



The profile and installing dimensions

			∅	x	
			∅	x	
			∅	x	
∅	∅	∅	∅	∅	
∅	∅	∅	∅	∅	
∅	∅	∅	∅	∅	
∅	∅	∅	∅	∅	
∅	∅	∅	∅	∅	
∅	∅	∅	∅	∅	



The material of the parts touching the fluid measured

